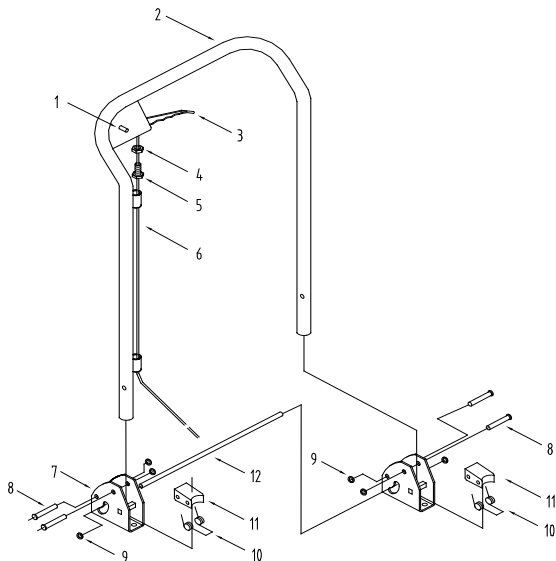


Spare parts catalogue

1. Explosive drawing and parts list of handle
2. Explosive drawing and parts list of SP300/SPA300/SP500/SPA500 pump
3. Explosive drawing and parts list of SP300/SP500 assembly
4. Explosive drawing and parts list of SPA300/SPA500 assembly

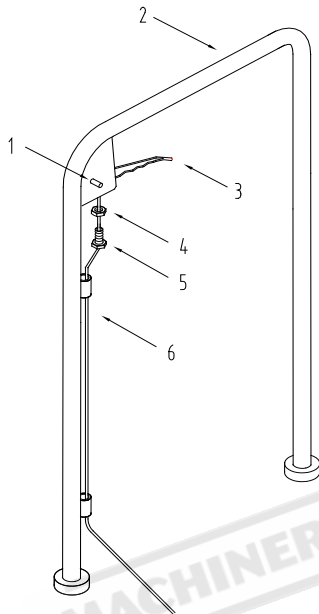


Explosive Drawing and Parts List of Handle (SP300/SP500)



No.	Drawing no.	Description	Qty.
1	Spring pin 6×30	GB879-86	1
2	Handle bar	SPⅢ1.01	1
3	Small handle	SPⅢ1.02	1
4	Nut M8	GB6172-86	1
5	Screw	SPⅢ0-01	1
6	Pull rod	1300(1060)	1
7	Folding trestle	SP.1-04	2
8	Pin 8×45	GB882-86	4
9	Snap ring	SP.1-02	6
10	Spring	SP.1-06	2
11	Cushion	SP.1-05	2
12	Pressing rod	SP.1-03	1

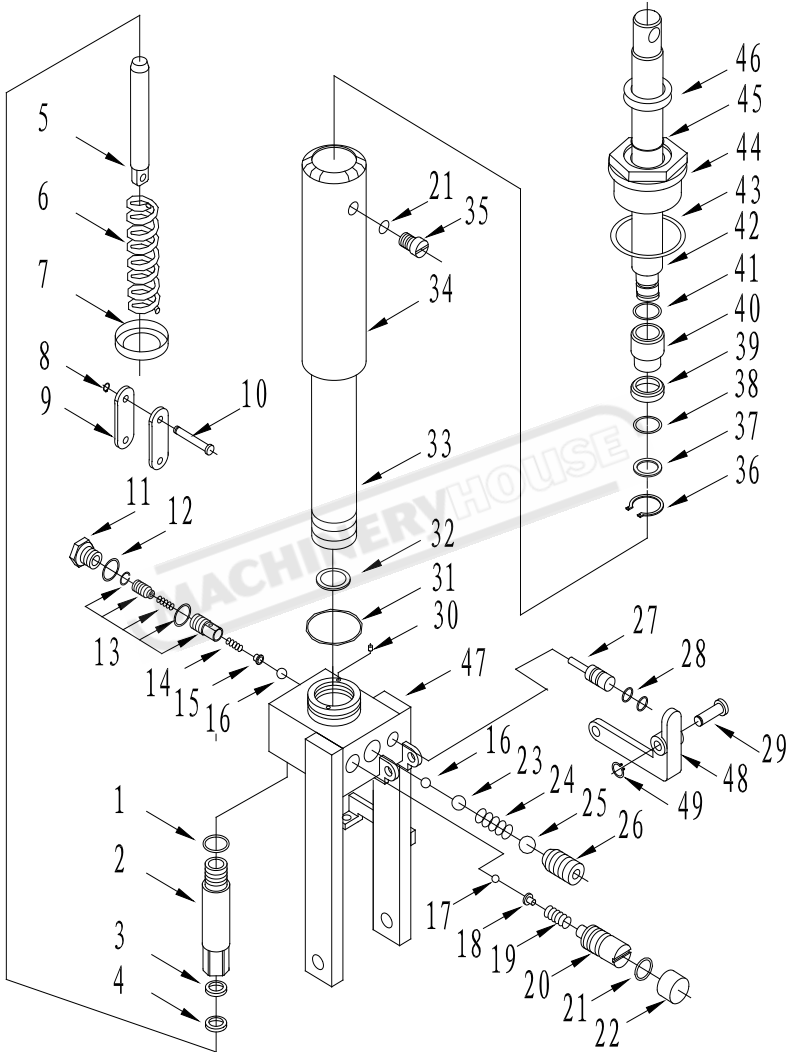
Explosive Drawing and Parts List of Handle (SPA300/SPA500)



No.	Drawing no.	Description	Qty.
1	Spring pin 6x30	GB879-86	1
2	Handle bar	SPAIII.1.01	1
3	Small handle	SPIII.1.02	1
4	Nut M8	GB6172-86	1
5	Screw	SPIII.0-01	1
6	Pull rod	1300(1060)	1

Remark: The handle of SPA300/SPA500 is with guard plate. (See page 14)

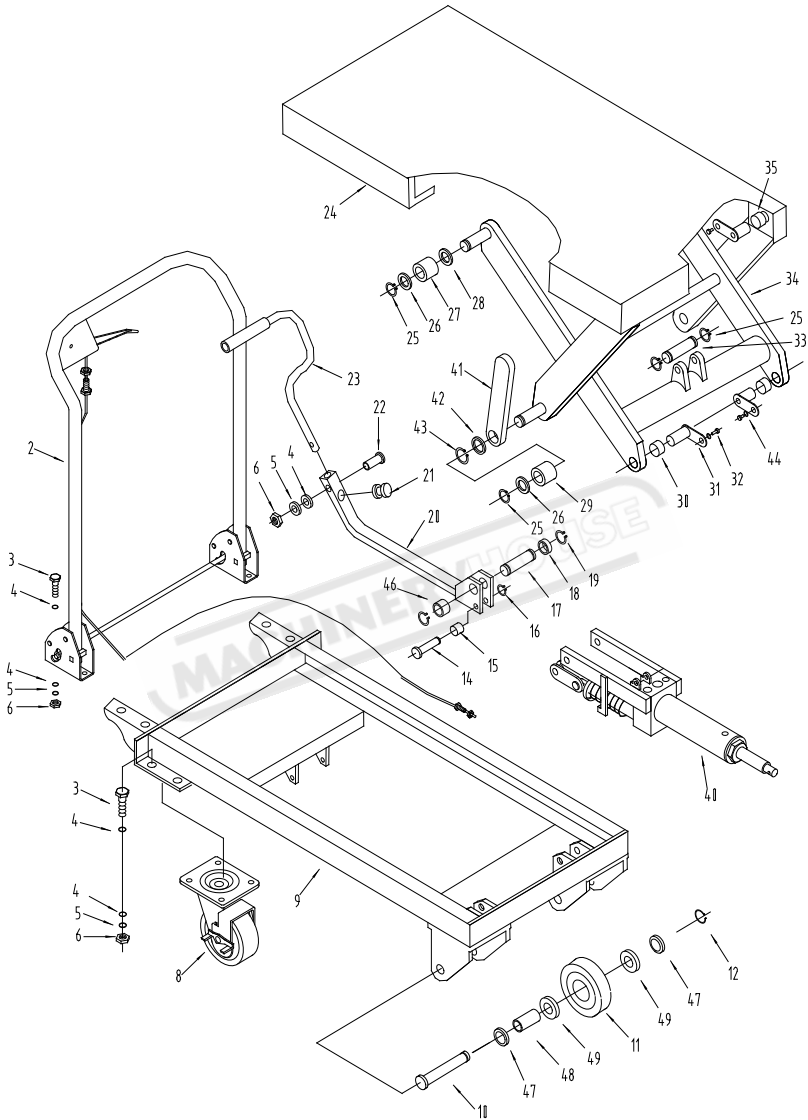
Explosive Drawing of SP300/SPA300/SP500/SPA500 pump



Parts List of SP300/SPA300/SP500/SPA500 pump

No.	Drawing no.	Description	Qty.	Remark
1	GB3452.1-86	O-ring 22.4×2.65	1	
2	SP.8-11	Pump cylinder	1	SP300/SPA300
	SP.8-11A	Pump cylinder	1	SP500/SPA500
3	UHS18	Yx- seal ring	1	300KGS
	UHS14	Yx- seal ring	1	500KGS
4	DH18	Dust ring	1	300KGS
	DH14	Dust ring	1	500KGS
5	SP.8-10	Pump plunger	1	300KGS
	SP.8-10A	Pump plunger	1	500KGS
6	SP.8-09	Spring	1	
7	SP.8-08	Spring seat	1	
8	GB894.1-86	Retaining ring for axle 10	1	
9	SP.0-13B	Joint plate	2	
10	SP.0-14	Pin	1	
11	JF.1-17	Plug	1	
12	JB982-77	Copper washer 20	1	
13	6W804.1-12	Damp valve	1	
14	YQ-03	Spring	1	
15	YQ-02	Spring seat	1	
16	GB308-77	Steel ball 6.35	2	
17	GB308-77	Steel ball 4.5	1	
18	SP.8-18	Spring seat	1	
19	SP.8-17	Spring	1	
20	SP.8-16	Adjusting screw	1	
21	GB3452.1-86	O-ring 7.5×2.65	2	
22	SP.8-15	Cover ring	1	
23	GB308-77	Steel ball 9.5	1	
24	SP.8-07	Spring	1	
25	GB308-77	Steel ball 1/2 (12.7)	1	
26	GB77-85	Screw M16×18	1	
27	YQ-01	Strike pin	1	
28	GB3452.1-82	O-ring 6.9×1.8	2	
29	DF1.2-08	Shaft	1	
30		Filter	1	
31	GB3452.1-82	O-ring 65×3.55	1	
32	SP.8-12	Rectangular ring section	1	
33	SP.8-04	Cylinder	1	
34	SP.8-03	Housing	1	
35	SP.8-02	Screw	1	
36	GB894.1-86	Retaining ring for axle 25	1	
37	SP.8-13	Washer	1	
38	GB3452.1-82	O-ring 33.5×3.55	1	
39	SP.8-14	Cup packing	1	
40	SP.8-06	Bush	1	
41	GB3452.1-82	O-ring 20×2.65	1	
42	SP.8-05	Piston rod	1	
43	CO1.2-16	Rectangular section sealing	1	
44	SP.8-01	Cylinder cap	1	
45	GB3452.1-82	O-ring 31.5×3.55	1	
46	HG4-692-67	J Shaped steel frame rubber sealing 32×45×6.5	1	
47	YQ.6-300	Base	1	
48	YQ-04	Lever plate	1	
49	GB894.1-86	Retaining ring for axle 8	1	

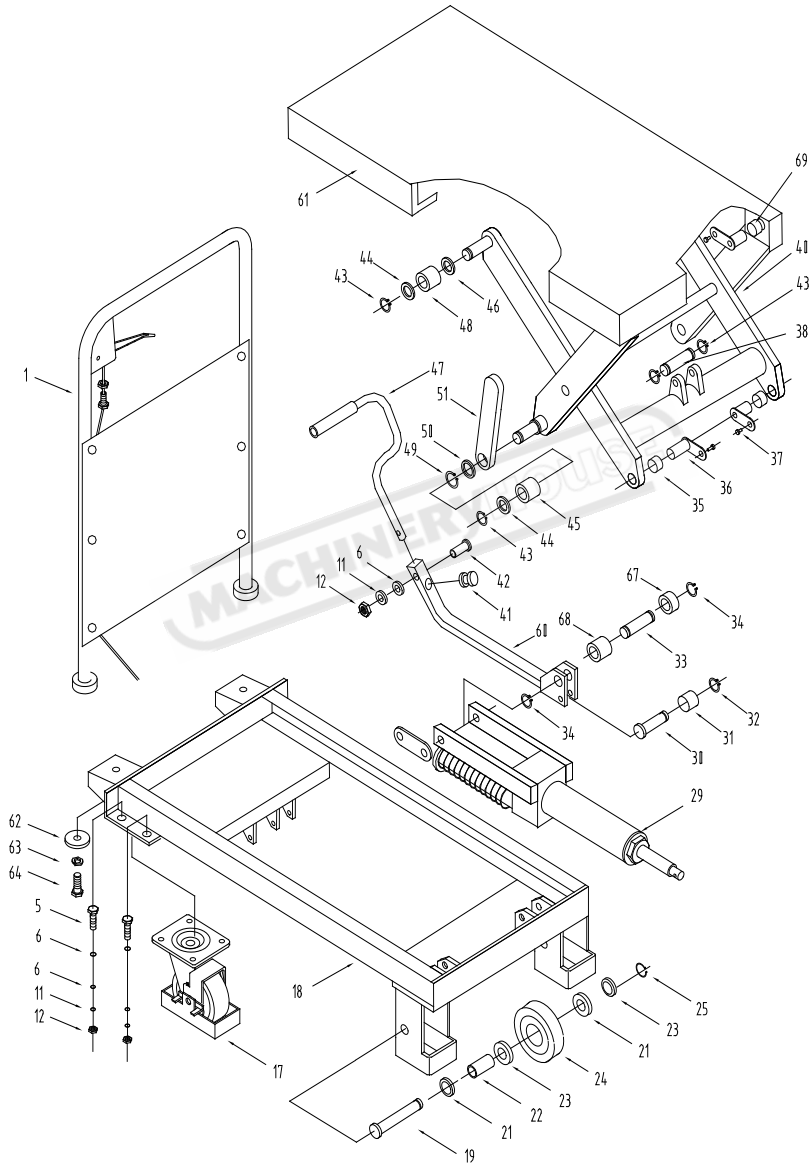
Explosive drawing of SP300/SP500 assembly



Parts List of SP300/SP500 assembly

No.	Drawing No.	Description	Qty.	Remark
2	SPⅢ.1-00	Handle bar	1	
3	GB5781-2000	Bolt M8×25	12	
4	GB95-1985	Washer 8	25	
5	GB93-1987	Washer 8	13	
6	GB41-86	Nut M8	13	
8		Universal Wheel 5"	2	SP.4-00
9	SPC.5-00	Frame	1	
10	SP.0-08	Shaft	2	
11	SP.0-04	Wheel 5"	2	
12	GB894.1-86	Retaining ring for axle 12	2	
14	SP.0-11	Shaft	1	
15	SP.0-12	Bush	1	
16	GB894.1-86	Retaining ring for axle 10	1	
17	SPS.0-03	Shaft	1	
18	YQ-7	Retaining ring	1	
19	GB894.1-86	Retaining ring for axle 20	2	
20	SP.3.04B	Connecting rod	1	
21	SP.3-03	Cushion	1	
22	GB5781-2000	Bolt M8×30	1	
23	SP.3-02	Pedal bar	1	Rubber cover
24	SPC.7-00	Table	1	
25	GB894.1-86	Retaining ring for axle 16	6	
26	GB848-1985	Washer 16	4	
27	SP.6-12	Washer	2	
28	SP.6-11	Washer	2	
29	SP.6-10	Roller	2	
30	SP.6-01	Bush	2	
31	SP.0.02	L-pin	4	
32	GB70-85	Bolt M6×10	4	
33	SP.0-03	Shaft	1	
34	SPC.6-00	Arm	1	
35	SF-1.1612	Bush	2	
40	YQ-00-500	Pump	1	
41	SPC.6-07	Support	2	
42	SPA.4-07	Washer	2	
43	GB894.1-86	Retaining ring for axle 24	2	
44	GB93-1987	Washer 6	4	
46	YQ-8	Retaining ring	1	
47	SP.0-06	Bush	4	
48	SP.0-07	Hollow shaft	2	
49	GB276-86	Bearing 6203	4	

Explosive drawing of SPA300/SPA500 assembly



Parts List of SPA300/SPA500 assembly

No.	Drawing No.	Description	Qty.	Remark
1	SPAIII.1.01	Handle bar(with guard plate)	1	
5	GB5781-2000	Bolt M8x25	8	
6	GB95-1985	Washer 8	17	
11	GB93-1986	Washer 8	9	
12	GB41-86	Bolt M8	9	
17	SPA.2-00	Universal wheel 5"	2	
18	SPA.3-00	Frame	1	
19	SP.0-08	Shaft	2	
21	SP.0-06	Bush	4	
22	SP.0-07	Hollow shaft	2	
23	GB276-86	Bearing 6203	4	
24	SP.0-04	Wheel 5"	2	
25	GB894.1-86	Retaining ring for axle 12	2	
29	YQ-00-300	Pump unit	1	
30	SP.0-11	Shaft	1	
31	SP.0-12	Bush	1	
32	GB894.1-86	Retaining ring for axle 10	1	
33	SPS.0-03	Shaft	1	
34	GB894.1-86	Retaining ring for axle 20	2	
35	SP.6-01	Bush	2	
36	SP.0.02	L-Pin	4	
37	GB70-85	Screw M6x10	4	
38	SP.0-03	Shaft	1	
40	SPA.4-00	Arm	1	
41	SP.3-03	Cushion	1	
42	GB5781-2000	Bolt M8x30	1	
43	GB894.1-86	Retaining ring for axle 16	6	
44	GB848-1985	Washer 16	4	
45	SP.6-10	Roller	2	
46	SP.6-11	Bush	2	
47	SP.3-02	Connecting rod	1	Rubber Cover
48	SP.6-12	Roller	2	
49	GB894.1-86	Retaining ring for axle 24	2	
50	SPA.4-07	Washer	2	
51	SPC.6-07	Support	2	
60	SP.3.04B	Pedal bar	1	
61	SPA.5-00	Table	1	
62	SPA.0-02	Washer	2	
63	GB93-1986	Washer 12	2	
64	GB5781-2000	Bolt M12x30	2	
67	YQ-7	Retaining ring	1	
68	YQ-8	Retaining ring	1	
69	SF-1.1612	Bush	2	